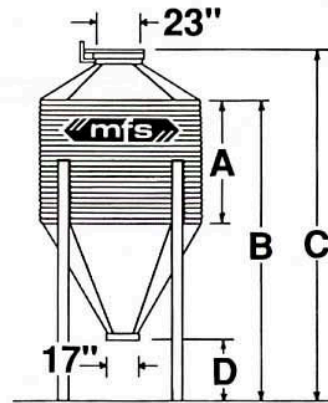


60°/67° HOPPER BOTTOM FEED STORAGE BIN SPECIFICATIONS



SIZE	MODEL#	CAPACITY			Approx. WEIGHT	GAGES	DIMENSIONS				# LEGS
		US-TON	CUBIC FT.	BUSHEL			A.	B.	C.	D.	
6' 60°	161	2.9	147.3	118	506	18	2'8"	9'1"	10'11"	34.0"	4
	162	4.4	221.6	178	605	18-20	5'4"	11'9"	13'7"	34.0"	4
	163	5.9	295.9	237	703	18-20-20	8'0"	14'5"	16'3"	34.0"	4
	164	7.4	370.2	297	802	18-20-20-20	10'8"	17'1"	18'11"	34.0"	4
7' 67°	771	4.6	230.6	185	803	18	2'8"	12'0"	14'1"	34.5"	4
	772	6.6	332.2	276	915	18-20	5'4"	14'8"	16'9"	34.5"	4
	773	8.7	433.7	349	1027	18-20-20	8'0"	17'4"	19'5"	34.5"	4
	774	10.7	535.3	430	1139	18-20-20-20	10'8"	20'0"	22'1"	34.5"	4
	775	12.7	636.8	512	1319	18-20-20-20-20	13'4"	22'8"	24'9"	34.5"	4
	776	14.8	738.4	593	1431	18-20-20-20-20-20	16'0"	25'4"	27'5"	34.5"	4
9' 60°	693	11.4	570.8	458	1240	17-20	5'4"	14'9"	17'6"	34.0"	6
	693	14.8	739.7	594	1322	17-20-20	8'0"	17'5"	20'2"	34.0"	6
	694	18.2	908.6	730	1497	17-20-20-20	10'8"	20'1"	22'10"	34.0"	6
	695	21.6	1077.5	866	1857	17-18-20-20-20	13'4"	22'8"	25'5"	36.0"	6
	696	24.9	1246.4	1002	2043	16-17-18-20-20-20	16'0"	25'4"	28'1"	36.0"	6
12' 60°	6122	22.4	1123.2	902	2845	12-17	5'4"	17'10"	21'5"	36.5"	8
	6123	28.4	1421.4	1142	3025	12-14-20	8'0"	20'6"	24'1"	36.5"	8
	6124	34.4	1719.6	1382	3329	12-14-18-20	10'8"	23'2"	26'9"	36.5"	8
	6125	40.3	2017.8	1622	3828	12-14-16-18-20	13'4"	25'10"	29'5"	36.5"	8
	6126	46.3	2316.0	1861	4120	12-14-16-18-18-20	16'0"	28'6"	32'1"	36.5"	8
	6127	52.2	2614.2	2101	4521	12-14-14-16-16-18-20	18'8"	31'2"	34'9"	36.5"	8
15' 60°	6152	39.1	1955.1	1572	4923	12-17	5'4"	20'2"	24'5"	34.5"	15
	6153	48.4	2421.3	1946	5268	12-14-20	8'0"	22'10"	27'1"	34.5"	15
	6154	57.8	2887.6	2321	5563	12-14-18-20	10'8"	25'6"	29'9"	34.5"	15
	6155	67.1	3353.9	2696	5933	12-14-16-18-20	13'4"	28'2"	32'5"	34.5"	15
	6156	76.4	3820.2	3071	6303	12-14-16-16-18-20	16'0"	30'10"	35'1"	34.5"	15
	6157	85.7	4286.4	3446	6728	12-14-14-16-16-18-20	18'8"	33'6"	37'9"	34.5"	15

*US -Ton Capacity Based on 40# Per Cubic Foot Material
Bins Limited to 50# Per Cubic Foot Material*

NOTICE: Hopper Bottom Bins are Limited to free flowing, non-corrosive, non-abrasive material. Commodities such as soybean meal and meat scraps are not considered free flowing. Consult MFS when in doubt about the flowability and abrasive characteristics of certain materials.



MFS-YORK-STORMOR • A Division of Global Industries
308-384-9320 • Fax 308-382-6954
PO Box 2105 - Grand Island, NE 68802-2105
Wats Numbers 800-247-6621 • (In Nebraska) 800-658-3104

Back to Catalog